

## ECO-LD Three Phase Electricity Meters

ECO-LD current transformer electricity meters are used to measure electricity in 4-conductor networks (three phase). Meters are used with direct measurement up to 80A and have attractive LCD display for the consumption display.

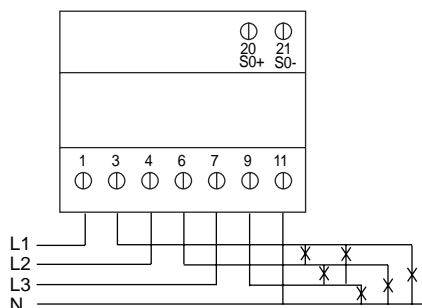
### Features

- Digital Direct Connection Electricity Meter
- For Consumer Box Installation
- PTB Approval
- Supplied Calibrated
- DIN-rail mounting according to EN50022 (TS35)
- LCD Display



Model Type	Model	Description
	<b>ECO-LD65</b>	65A Three Phase Electricity Meter with Direct Connection
	<b>ECO-LD85</b>	85A Three Phase Electricity Meter with Direct Connection
<b>Technical Data</b>	Voltage	3 x 230 / 400V
	Current:	ECO-LD65: 5(65) A ECO-LD85: 5(85)A
	Frequency	50Hz
	Precision	1%
	Meter Consumption	< 1.6 Pro Phase
	Temperature Range	-20..+50°C
	Terminals	Max. 6 mm <sup>2</sup>
	Protection Class	IP51
	Mounting	DIN-Rail
	Display	7-Digit LCD
Mounting	DIN-rail	
Dimensions	W126 x H90 x D70 mm	

Wiring Diagrams



**SAFETY PRECAUTIONS**

The meters are to be used exclusively for measuring electrical energy and must only be operated within the specified technical data.

When installing or changing the meter, the conductor to which the meter is connected must be de-energized. Contact of parts under voltage is extremely dangerous. Therefore the relevant back-up fuses are to be removed and stored so that other people cannot insert this unnoticed.

Before opening the meter the secondary circuit of the current transformer must be short circuited. The high voltage on the current transformer is extremely dangerous and destroys the current transformer.

The system voltage input is under voltage.

**WARNING: The local standards, guide lines, regulations and instructions are to be obeyed. Only authorized personnel are permitted to install the electricity meters.**

When storing, transporting and operating the meter it should be protected against dampness, dirt and damage and also not be operated outside the specified technical data (see also name plate). During the operation of the meter pay attention to the temperature range (see technical data).

Dimensions

