

MTK Cold Water Meters

MTK water meters are used to measure cold water flows. The meters have ingenious plug-in design for multiple communication options including impulse output and EN1434-3 M-Bus standard. MTK meters are used to measure water flow with flow temperatures up to 30°C. The water meters can be retrofitted with remote reading modules without losing the validity of the calibration.

MTK meters are supplied individually factory calibrated. Calibration certificates available on request at additional cost.

Features

- Water Flow Rates Up to 10 m³/h
- Screwed Connection
- Impulse Output Option with 1 liter / impulse
- EN1434-3 M-Bus Communication Option
- Horizontal or Vertical Mounting (depends on the model)
- Factory Calibrated



Model Type	Model	Description
	MTK-M-3-5	DN25 Cold Water Meter 3.5m ³ /h, Horizontal Mounting, Without Couplings
	MTK-M-6-0	DN25 Cold Water Meter 6.0m ³ /h, Horizontal Mounting, Without Couplings
	MTK-M-10	DN40 Cold Water Meter 10.0m ³ /h, Horizontal Mounting, Without Coupling
	MTK-M-3-5-V	DN25 Cold Water Meter 3.5m ³ /h, Vertical Mounting, Without Couplings
	MTK-M-6-0-V	DN25 Cold Water Meter 6.0m ³ /h, Vertical Mounting, Without Couplings
	MTK-M-10-V	DN40 Cold Water Meter 10.0m ³ /h, Vertical Mounting, , Without Couplings
	MT-MOD-I	Impulse Output Option
	MT-MOD-M	M-Bus Output Option
	MT-CON-DN25	1 x R1" Pipe Coupling for DN25 Meters (one meter requires two)
	MT-CON-DN40	1 x R1 1/2" Pipe Coupling for DN40 Meters (one meter requires two)

Technical Data		
	Display	8-Digit Roller Counter with 3 decimal places
	Meter Structure	Multi Stream Dry Water Meter Integrated Module Slot for Communication Options
	Water Temperatures	Up to 30°C
	Installation Position	Horizontal or Vertical (depending on the Model)
	Metrological Class	Class B - Horizontal Mounting Class A - Vertical Mounting
	Construction	According to DIN 2401
	Operating Pressure	PN16
	Approval	EC Approval
	Protection Class	IP52

Impulse Output Option

Standard	Compatible with Reed Contacts, S0 Interface According to DIN 43864 (12..27 VDC, 30mA)
Detection	With Rotation Detection
Reading	1 liter / pulse (0.001 m ³ / pulse)
Cable Length	1m
Battery	3V Lithium Battery, Replaceable On-Site
Battery Life	6+4 years
Impulse Length	50ms
Impulse Current	max. 100mA
Operating Temp	0..60°C

M-Bus Output Option

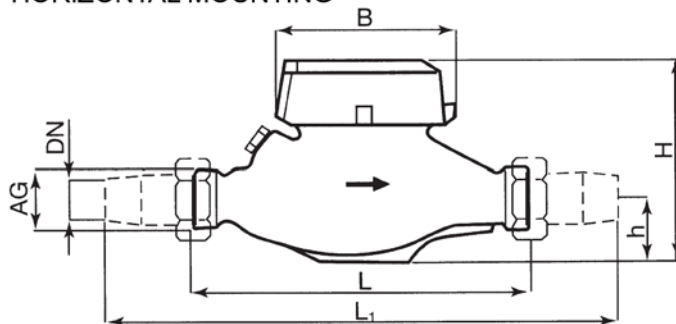
Standard	EN 1434-3 Remote supply from the M-bus with automatic change-over to battery operation in case of bus failure
Measurement	With Rotation Detection
Addressing	Primary and Secondary M-Bus Adresse
Readings	Current Flow with 12 Monthly Cut-Off date values
Impulse Output	Additional Impulse Output, 1liter / Impulse
Battery	3V Lithium Battery, Replaceable On-Site
Battery	Buffer Battery, Battery Life 6+4 Years
Cable Length	1m
Cable Connections	Green - M-Bus Yellow - M-Bus Brown (-) S0 Pulse Output White (+) S0 Pulse Output
Operating Temp	0..60°C

Volume Device Technical Data	Model	Unit	Horizontal Mounting			Vertical Mounting		
			MTK-M-3-5	MTK-M-6	MTK-M-10	MTK-M-3-5-V	MTK-M-6-V	MTK-M-10-V
Flow Rate		m ³ /h	3.5	6.0	10	3.5	6.0	10
Nominal Diameter		mm	25	25	25	25	25	25
Max Flow Rate		m ³ /h	12	12	20	12	12	20
Transitional Flow Rate		l/h	350	600	1000	350	600	1000
Min Flow Rate		l/h	40	40	80	40	40	80
Meter Connection			G 11/4 B	G 11/4 B	G2 B	G 11/4 B	G 11/4 B	G2 B
Pipe Connection (with coupling)			R1"	R1"	R11/2"	R1"	R1"	R11/2"
Length	L - mm		260	260	300	150	150	200
	L1 -mm		378	378	438	268	268	338
Height	H -mm		130	130	150	130	130	147
	h - mm		44	44	46	22	22	46
Weight		kg	2.8	2.8	5.4	3.2	3.2	6.3
Weight with Coupling		kg	3.4	3.4	6.6	3.8	3.8	7.5

Dimensions

Look at the Technical Data Table for the dimensions.

HORIZONTAL MOUNTING



VERTICAL MOUNTING

