

## WZK Cold Water Meters

WZK water meters are used to measure cold water flows. The meters have ingenious plug-in design for multiple communication options including impulse output and EN1434-3 M-Bus standard. WZK meters are used to measure water flow with flow temperatures up to 30°C. The water meters can be retrofitted with remote reading modules without losing the validity of the calibration.



WZK meters are supplied individually factory calibrated. Calibration certificates available on request at additional cost.

### Features

- Water Flow Rates Up to 2.5 m<sup>3</sup>/h
- Screwed Connection
- Impulse Output Option with 1 liter / impulse
- EN1434-3 M-Bus Communication Option
- Horizontal or Vertical Mounting
- Factory Calibrated

Model Type	Model	Description
	<b>WZK-M-1-5-80</b>	DN15 Cold Water Meter 1.5m <sup>3</sup> /h, 80mm Body, Without Couplings
	<b>WZK-M-1-5-110</b>	DN15 Cold Water Meter 1.5m <sup>3</sup> /h, 110mm Body, Without Couplings
	<b>WZK-M-2-5</b>	DN20 Cold Water Meter 2.5m <sup>3</sup> /h, Without Couplings
	<b>MT-MOD-I</b>	Impulse Output Option
	<b>MT-MOD-M</b>	M-Bus Output Option
	<b>WZ-CON-DN15</b>	R1/2" Pipe Coupling Set for DN15 Meters (two couplings)
	<b>WZ-CON-DN20</b>	R3/4" Pipe Coupling Set for DN20 Meters (two couplings)
<b>Technical Data</b>	Display	8-Digit Roller Counter with 3 decimal places Display Rotateable 360°
	Meter Structure	Single Stream Water Meter Integrated Module Slot for Communication Options
	Water Temperatures	Up to 30°C
	Installation Position	Horizontal or Vertical
	Metrological Class	Class B - Horizontal Mounting Class A - Vertical Mounting
	Operating Pressure	PN16
	Approval	PTB and EC Approval
	Protection Class	IP52
	<b>Impulse Output Option</b>	
	Standard	Compatible with Reed Contacts, S0 Interface According to DIN 43864 (12..27 VDC, 30mA)
	Detection	With Rotation Detection
	Reading	1 liter / pulse (0.001 m <sup>3</sup> / pulse)
	Cable Length	1m

Battery	3V Lithium Battery, Replaceable On-Site
Battery Life	6+4 years
Impulse Length	50ms
Impulse Current	max. 100mA
Operating Temp	0..60°C
Standard	Compatible with Reed Contacts, S0 Interface According to DIN 43864 (12..27 VDC, 30mA)

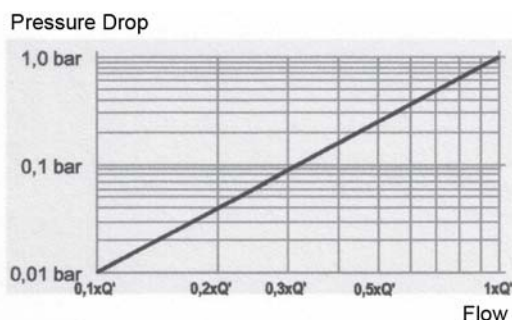
**M-Bus Output Option**

Standard	EN 1434-3 Remote supply from the M-bus with automatic change-over to battery operation in case of bus failure
Detection	With Rotation Detection
Addressing	Primary and Secondary M-Bus Adresse
Readings	Current Flow with 12 Monthly Cut-Off date values
Impulse Output	Additional Impulse Output, 1liter / Impulse
Battery	3V Lithium Battery, Replaceable On-Site
Battery	Buffer Battery, Battery Life 6+4 Years
Cable Length	1m
Cable Connections	Green - M-Bus Yellow - M-Bus Brown (-) S0 Pulse Output White (+) S0 Pulse Output
Operating Temp	0..60°C

Volume Device Technical Data	Model	Unit	WZK-M-1-5-80	WZK-M-1-5-110	WZK-M-2-5
Flow Rate		m <sup>3</sup> /h	1.5	1.5	2.5
Nominal Diameter		mm	15	15	20
Max Flow Rate		m <sup>3</sup> /h	3	3	5
Transitional Flow Rate		l/h	120	120	150
Min Flow Rate		l/h	20	20	50
Starting Flow Rate		l/h	8	5	15
Meter Connection			G3/4 B	G3/4 B	G1 B
Pipe Connection (with coupling)			R1/2"	R1/2"	R3/4"
Length	L - mm		80	110	130
Height	H - mm		69	69	69
Width	B - mm		70	70	70
Weight		kg	0.45	0.5	0.6

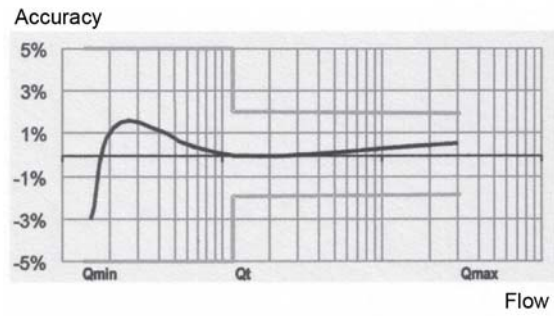
**Pressure Drop**

The following diagram illustrates the pressure drop across the meter as a function of flow rate (times x nominal flow rate)



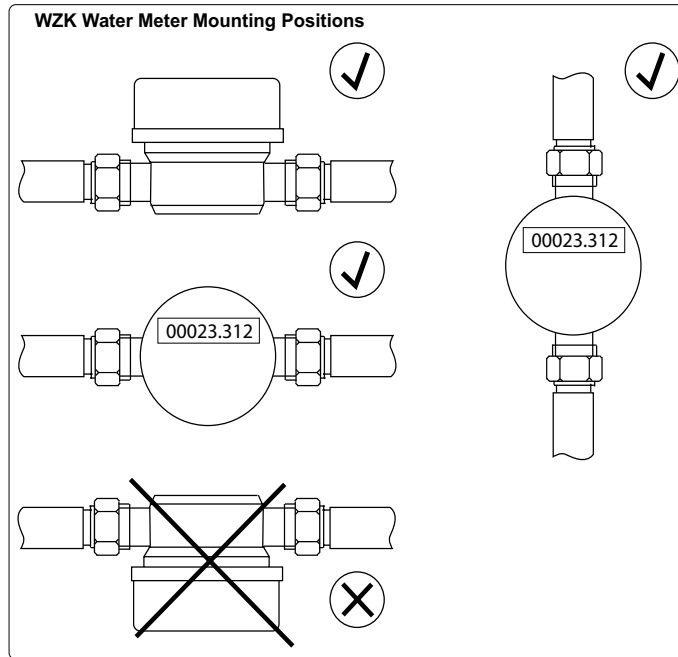
**Measurement Accuracy**

The diagram below illustrates the measurement accuracy as a function of nominal flow rate.



**Mounting Instructions**

Please look at the below diagram for the acceptable mounting positions.



**Dimensions**

Look at the Technical Data Table for the dimensions.

