

Tempora Digital Programmable Thermostat

Tempora is an electronic daily programmable thermostat featuring very easy operation. It is operated with two 1.5V AA type batteries and it is equipped with an internal temperature sensor.

The time switch gives the user the possibility to choose the temperature regulation over two different temperature setting levels: Comfort and Economy.

A three position sliding switch gives three operating modes:

- Manual operation.
- Automatic operation (time- based).
- Off, with antifreeze option activated.



FEATURES

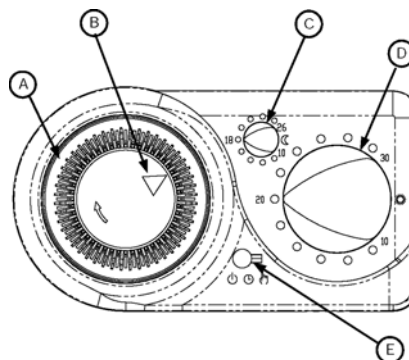
- 2 batteries AA type power supply
- 2 level room temperature regulation: Comfort and Economy
- Manual on, automatic and off operating modes
- Off position with automatic low temperature protection

Model Types	Model	Description
	TCP-GIO-BI03	Tempora Digital Programmable Thermostat with Analogue Clock
Technical Data	Power Supply	2 x 1.5V= (AA type)
	Batteries Duration	~ 18 months
	Regulation Range	Comfort: 10°C .. 30°C Economy: 10°C .. 26°C
	Temperature Sampling	Approx. every 3 minutes
	Differential	0.5°C
	Clock Programming	Daily with 15 minute steps
	Override Switch	Auto/Manual On/Off modes
	Sensor Type	NTC 100kOhm @ 25°C internal
	Contacts Rating	5A @ 250V~ SPDT
	Low Temperature Protection Limit	+5°C fixed
	Storage Temperature	-10°C .. +50°C
	Operating Temperature	0°C .. 40°C
	Protection Class	IP20
	Humidity Limits	20% .. 80% rH (non condensing)
	Enclosure	Material: ABS V0 self-extinguishing
	Colour	Signal white (RAL 9003)
Size	156W x 84H x 36D mm	
Weight	0.18kg	

Setting Time

In order to set the actual hour just turn the outer clock ring ('A' in figure on the right) clockwise until the arrow 'B' in points to the actual hour.

Note: when summer time starts or winter time returns the user must remember to manually adjust the clock to the correct time.



Setting Switching Points

Analogue clock contains several plastic pins, which can be moved towards the center of the clock (inner) or towards the outer edge (outer): each of these sets the programmable thermostat operation for 15 minutes.

Pins set to the outer edge: When in automatic mode (clock symbol) the room temperature is regulated on the 'comfort' level.

Pins set to the inner edge: When in automatic mode (clock symbol) the room temperature is regulated on the 'economy' level.

When the user wants the room temperature to be regulated on the 'comfort' temperature, as an example during daytime, the relevant pins in that time interval should be moved to the outer edge. On the other hand if regulation on the 'economy' level is desired, as an example during nighttime, then all the pins in that time interval should be moved to the inner edge.

Any desired combination of 'economy' and 'comfort' temperatures can be obtained with a proper setting of the clock pins.

Operation - Automatic

Set the selector 'E' in the above figure, on the 'clock' symbol, i.e. in the central position.

- Set the 'comfort' temperature knob ('D' in figure) on the desired 'comfort' temperature level, from 10°C to 30°C. This knob sets the 'comfort' temperature, which is usually the temperature set during day time.
- Set the 'economy' temperature knob ('C' in figure) on the desired 'economy' temperature level, from 10°C to 26°C. This knob sets the 'economy' temperature, which is usually the temperature set during night time.
- Set the plastic pins on the clock towards the outer for those time intervals in which the 'comfort' temperature is desired and to the inner for those time intervals in which the 'economy' temperature is desired.

Operation - Manual

- Set the selector 'E' in the above figure, on the 'hand' symbol, i.e. in the rightmost position.
- Both the clock and the 'economy' knob functionalities are disabled.
- Set the 'comfort' temperature knob ('D') on the desired 'comfort' temperature level, from 10°C to 30°C. In this mode the thermostat regulates the room temperature on the 'comfort' temperature 24h/24h.

Operation - Off

- Set the selector 'E' to the 'off' symbol position, i.e. in the leftmost position.
- The thermostat is now off.
- In this mode the 'low temperature frost protection' function remains active. This is done in order to avoid water freezing in the pipes, in case the temperature should fall below 5°C.

Installation

1. With the help of a screwdriver apply a slight pressure in the hole located on the clock side, as shown in fig. 2, then pull the plastic cover, thus opening the appliance.

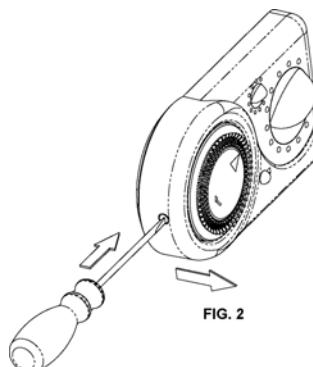


FIG. 2

Installation Cont'd...

2. Remove the screw, shown as 'A' in fig. 3, fixing the plastic cap and remove it.
3. Pass the wires through the hole in the base, shown as 'C' in fig. 3 and using the two screws included in the package, ('B' in fig. 3) fix the thermostat base on the junction box or directly on the wall.
4. In order to ease the electrical wiring, remove the 3-poles wiring block ('D' in fig. 3), applying a little pressure towards the external on the lever 'E' in fig. 3, which actually fixes it to the base.

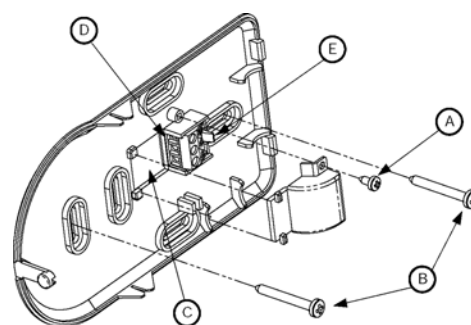


FIG. 3

5. As shown in the diagram on the right connect the boiler to the terminals 1 and 2, (the relay performs a changeover according to a the temperature raising/falling).
6. Re-insert the terminal block in the original place, pressing it slightly towards the base until the plastic tooth snaps.
7. Insert from the left the plastic cap in order to perfectly couple it to the base, then screw the screw formerly removed.

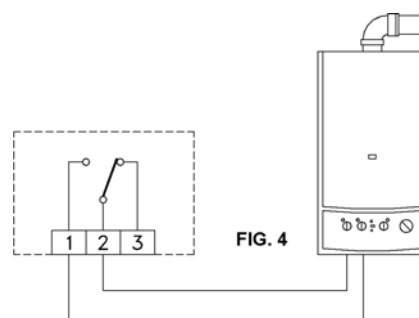


FIG. 4

8. Insert 2 1,5V AA batteries in the thermostat body, paying attention to the polarity (see fig. 5).

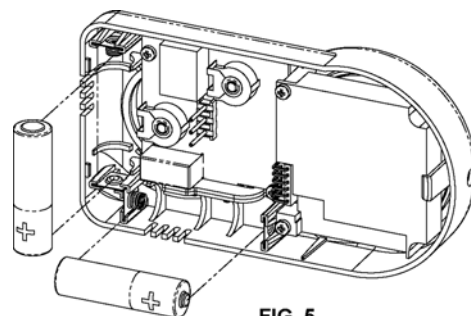


FIG. 5

9. Couple the thermostat, inclined by 45° on the right side as in fig. 6, so that the plastic teeth, shown with the arrows, fits in the relevant slots in the base.

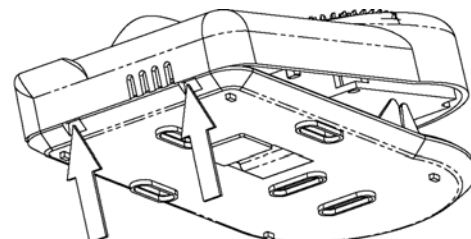


FIG. 6

10. Press the thermostat body towards the plastic base, paying attention to couple the pins on the thermostat with the terminal block on the base. When the thermostat body reaches the plastic tooth 'A' in fig. 7, slight press it with a movement to the internal side, still pressing the thermostat body towards the base, until the tooth snaps in the relevant hole.

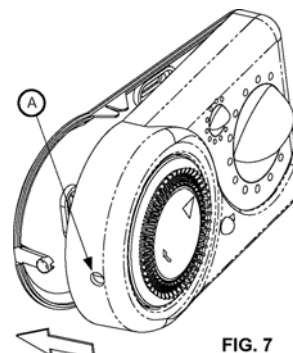


FIG. 7

WARNING !

- To adjust properly room temperature, install the thermostat far from heat sources, air streams or particularly cold walls (thermal bridges).
- The appliance must be wired to the electric mains through a switch capable of disconnecting all phases compliant to the current safety standards and with a contact separation of at least 3 mm in all phases.
- Installation and electrical wiring of this appliance must be made by qualified technicians and in compliance with the local safety standards.
- Before wiring the appliance be sure to switch the mains power off.

Notes: In the view of a constant development of their products, the manufacturer reserves the right for changing technical data and features without prior notice. The consumer is guaranteed against any lack of conformity for 24 months from the time of delivery, according to the European Directive 1999/44/EC. The full text of warranty is available on request from the seller.