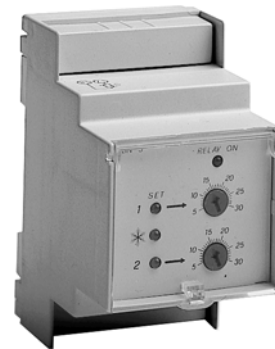


## TBE-113 Electronic Thermostats

TBE-113 thermostat has a 3 module DIN rail case and can operate on 3 different and selectable set points: comfort, energy saving and anti-freeze.

Comfort and energy saving temperatures are set by means of two front trimmers (operated by a screw driver) while the anti-freeze temperatures is factory set at 7°C. The selections of the desired set point is obtained by closing some terminals and therefore it can be had by means of a external device (e.g. programming clock, switch).

A linearized PTC sensor is used. Realizations of probes allow the use of the thermostat in different applications. The thermostat may be connected to a water, air, room, outside or strap-on sensor.

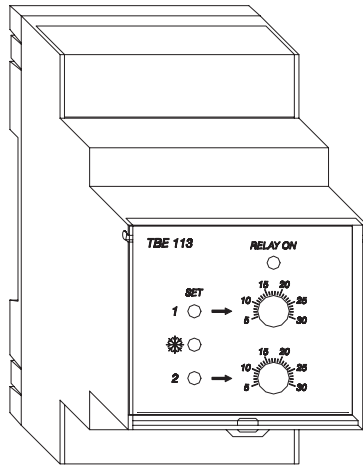


### Features

- 230Vac Power Supply
- Accurate Temperature Control
- Easy to adjust knobs
- Comfort, Economy and Anti-Freeze Modes
- Can be used for wide range of applications

Model Type	Model	Description
	<b>TBE-113M</b>	Electronic Thermostat, Range 5..30°C, 230 Power Supply
<b>Technical Data</b>	Power Supply	230Vac -15/+10% 50/60Hz
	Power Consumption	2VA
	Control Range	5..30°C
	Anti-Freeze Temp	7°C
	Sensor Type	PTC2k Ohm
	Accuracy	1°C
	Output	8(2)A @ 250Vac SPDT
	Differential	0.5°C
	Protection Class	IP30
	Ambient Temp	0..+40°C
	Storage Temp	-10..+50°C
	Humidity Limits	20..90% rH non-condensing
	Housing	ABS V-0 Self Extinguishing, Light Grey
	Mounting	DIN-rail
Weight	0.25 kg	
Dimensions	W53 x H90 x D69 mm	

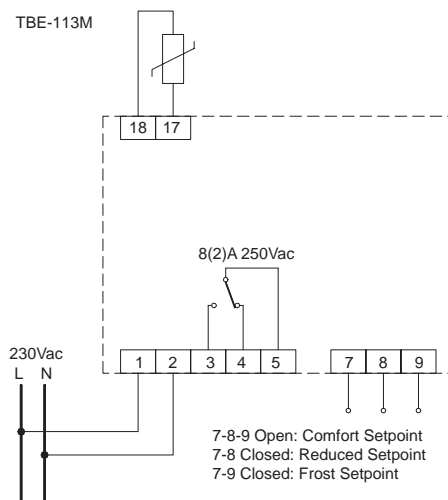
**Front Panel**



Use trimmer 1 to set the Economy setpoint. Use Trimmer 2 to set the Comfort setpoint.

(

**Wiring Details**



- When terminals 7-8-9 are open, the thermostat works to keep the COMFORT temperature set by trimmer 2 (green led 2 lit);

- When terminals 7 and 8 are closed (by a fix jumper or an external contact) and terminal 9 is free, the appliance works to keep the ENERGY SAVING temperature set by trimmer 1 (green led 1 lit);

- When terminals 7 and 9 are closed and terminal 8 is free, the appliance works to keep the ANTI-FREEZE temperature factory set at 7°C (green led lit).

- The red led (relay on) shows the status of the output relay: it is lit when the relay is energized.

Notes: In the view of a constant development of their products, the manufacturer reserves the right for changing technical data and features without prior notice. The consumer is guaranteed against any lack of conformity for 24 months from the time of delivery, according to the European Directive 1999/44/EC. The full text of guarantee is available on request from the seller.