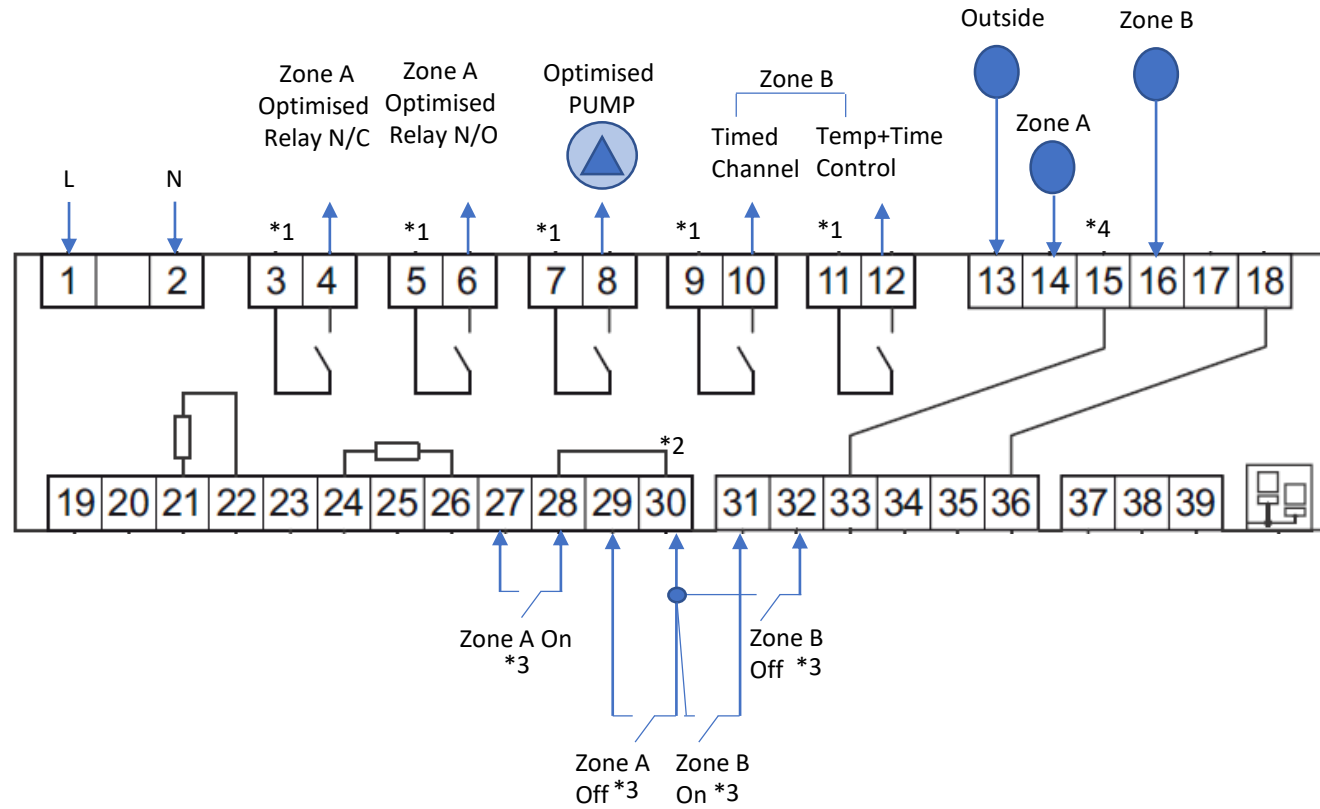


# SYX665 – Dedicated MO1500 Application Replacement



\*1- Connect required switch signal for the connected appliance

\*2 – Common Digital Input Ground.

\*3 – Voltage Free

\*4 – Common Sensor Ground