

# AC VM01 0001 SE

0 .. 10V MANUAL VARIATOR, WALL MOUNT



Via Prosdocimo, 30  
I-36061 BASSANO DEL GRAPPA (VI)  
Tel.: +39.0424.567842 Fax.: +39.0424.567849  
http://www.seitron.it - e-mail: info@seitron.it

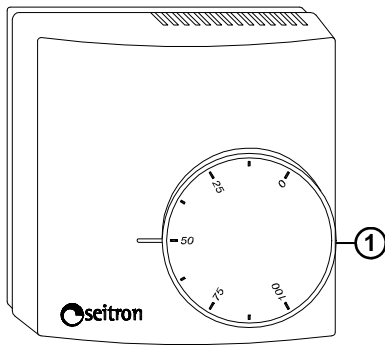


Fig. 1

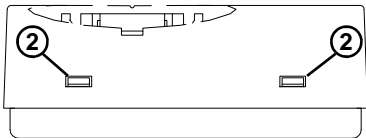


Fig. 2

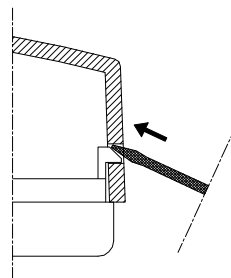


Fig. 3

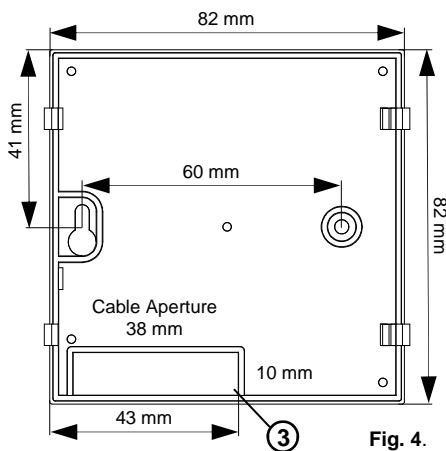


Fig. 4.

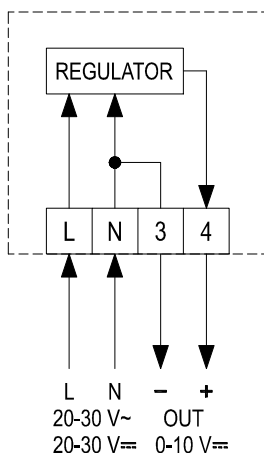


Fig. 5

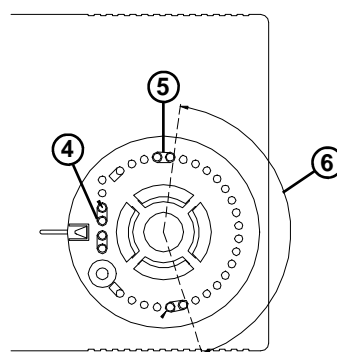


Fig. 6

## TECHNICAL FEATURES

Power supply:	20-30V~ 50Hz / 20-30V==
Power absorption:	2,5W
Regulation range:	0 .. 100%
Output:	0 - 10V==
Protection grade:	IP 30
Type of action:	1
Pollution degree:	2
Equipment class:	II (□)
Rated impulse voltage:	500V
Number of manual cycles:	1000
EMC test voltage:	24V~ 50Hz
EMC test current:	18mA
Distances tolerances fault mode 'short' exclusion:	±0,15mm
Ball pressure test temperature:	75°C
Operating temperature:	0°C .. 40°C
Storage temperature:	-10°C .. +50°C
Humidity limits:	20% .. 80% RH (non condensing)
Case:	Material: ABS self extinguishing V0
	Color: Signal white (RAL 9003)
Size:	85 x 85 x 31 mm (L x A x P)
Weight:	~ 116 gr.

## NORMATIVE REFERENCES

The product complies with the following (EMC 2004/108/EC & LVD 2006/95/EC):  
CEI-EN-60730-1 (2011)

## INSTALLATION

### ⚠ WARNING

- The appliance must be wired to the electric mains through a switch capable of disconnecting all poles in compliance with the current safety standards and with a contact separation of at least 3 mm in all poles.
- Installation and electrical wirings of this appliance must be made by qualified technicians and in compliance with the current standards.
- Before wiring the appliance be sure to turn the mains power off.

For installation the thermostat follow these steps:

1. Remove the knob by tilting it, eventually with the help of a screwdriver placed in the slot (1).
2. Remove plastic cover by moving to the inner side, through the use of a tool, the two plastic teeth (2) located on the left side of the thermostat.
3. Fix the device base plate to the wall through the two screw holes with distance between axes of 60 mm (Fig. 4).
4. Make the electrical connections, routing the wires through the rectangular opening (3) and following to the diagram of Fig. 5.
5. Close the device, placing the cover on the base, then press down lightly until the four plastic tabs click. Then insert the knob.

## KNOB ROTATION LIMITATION

It is possible to limit the rotation range for the set-point knob by following these steps:

1. Remove the knob by tilting it, eventually with the help of a screwdriver placed in the slot (1).
2. Pick up the plastic pins (4) parked at one side of the knob area and set them (5) as in the example of Fig. 6. In this example the rotation range (6) is reduced as in the shown angle.

## WARRANTY

The manufacturer is committed to the continual development of its products and hence reserves the right to change technical specifications and performance features without notice. Consumers are provided with a warranty against product non-conformity in accordance with European Directive 1999/44/EC and the manufacturer's guarantee policy. The complete text of the warranty is available on request from the seller.