

3MG Rotary Shoe Valves

3MG range of rotary shoe valves is made of brass and is supplied in sizes from 15mm to 32mm for use in heating and cooling installations. The 3MG range is designed to provide good control characteristics, and can be used for both mixing and diverting applications.

The valves are available in 3-port format with female BSP threaded connections. 3MG valves can be used with ESBE91/93 or with NRC24 actuators. 3MG valves can also be used in conjunction with EH80 compensators that have built-in actuator.

Note that 3MG valves are not tight shut-off valves and are not recommended for applications where let-by less than 1% of the flow is required. Please also note that 3MG valves are normally fitted with a knob for manual operation but the valves are also suitable for automatic operation.



Model Types	Model	Description
	3MG-15-06	3MG-15-06 Rotary Shoe Valve, 3-port, Kvs 0.6
	3MG-15-16	3MG-15-16 Rotary Shoe Valve, 3-port, Kvs 1.6
	3MG-15-25	3MG-15-25 Rotary Shoe Valve, 3-port, Kvs 2.5
	3MG-20-4	3MG-20-4 Rotary Shoe Valve, 3-port, Kvs 4
	3MG-20-63	3MG-20-63 Rotary Shoe Valve, 3-port, Kvs 6.3
	3MG-25-8	3MG-25-8 Rotary Shoe Valve, 3-port, Kvs 8
	3MG-25-12	3MG-25-12 Rotary Shoe Valve, 3-port, Kvs 12
	3MG-32-18	3MG-32-18 Rotary Shoe Valve, 3-port, Kvs 18

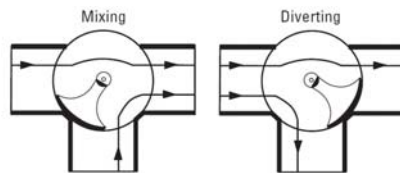
Technical Data		
Nominal Pressure Rating		PN 10
Pipe Connections		Female BSP
Rangeability		100:1
Torque		Max. 3 Nm
Let-by		See Chart Overleaf
Maximum Temperature		130°C
Maximum Differential Pressure Drop		100 kPa
Body Material		Brass
Spindle and Slide		Brass
Bracket		Zinc
O-ring		EPDM

Selection Guide and Technical Characteristics

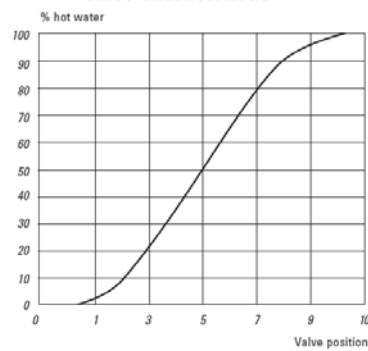
Model	DN (mm)	R" (BSP female)	PN	Kvs	Let-by % of Flow		Weight (kg)	Suitable Actuators
					Mixing	Divert		
3MG-15-06	15	1/2"	10	0.6	1.1	0.5	0.7	ESBE91 ESBE93 NRC24-3 NR24-3 EH-80 (Compensator)
3MG-15-16	15	1/2"	10	1.6	1.1	0.5	0.7	
3MG-15-25	15	1/2"	10	2.5	1.1	0.5	0.7	
3MG-20-4	20	3/4"	10	4	1.1	0.5	0.6	
3MG-20-63	20	3/4"	10	6.3	1	0.4	0.7	
3MG-25-8	25	1"	10	8	1	0.3	0.7	
3MG-25-12	25	1"	10	12	1	0.3	1.0	
3MG-32-18	32	1 1/4"	10	18	1	0.3	1.0	

Operation

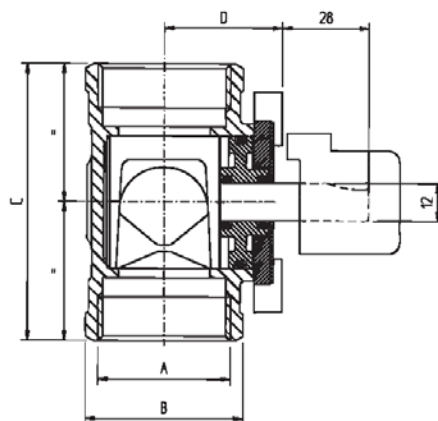
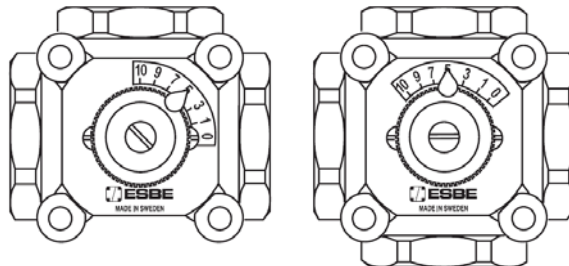
The diagrams on the right and below illustrates the flow characteristics for the 3MG valves.



Valve Characteristic



Dimensions



Model	A (BSP female)	B (mm)	C (mm)	D (mm)
3MG-15-06	1/2"	35	72	33
3MG-15-16	1/2"	35	72	33
3MG-15-25	1/2"	35	72	33
3MG-20-4	3/4"	35	72	33
3MG-20-63	3/4"	35	72	33
3MG-25-8	1"	42	72	33
3MG-25-12	1"	42	88	37
3MG-32-18	1 1/4"	50	88	37