

## ALC-006 (MIDI/6) Thermostat Wiring Center

ALC 006 M, which transforms the mains 230V~ voltage into 24V~ delivered at its outputs and the ALC 006 U which supplies the loads with the same voltage applied to its input.

Both can be used for supplying up to 6 thermostats (24V~ powered in case of the ALC 006 M) and their relevant thermal actuators or zone valves provided that the total power absorption of the loads is kept within the below declared value.

This wiring box features an additional input for an external clock switch which in turns drives turning on and off for the loads (both thermostats and actuators).

A fuse located internally on the board protects the transformer against overload and short circuit which might happen on the load side.

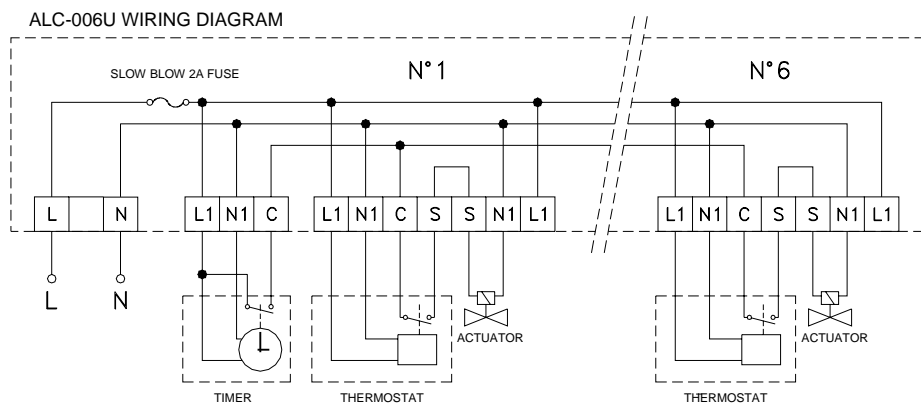
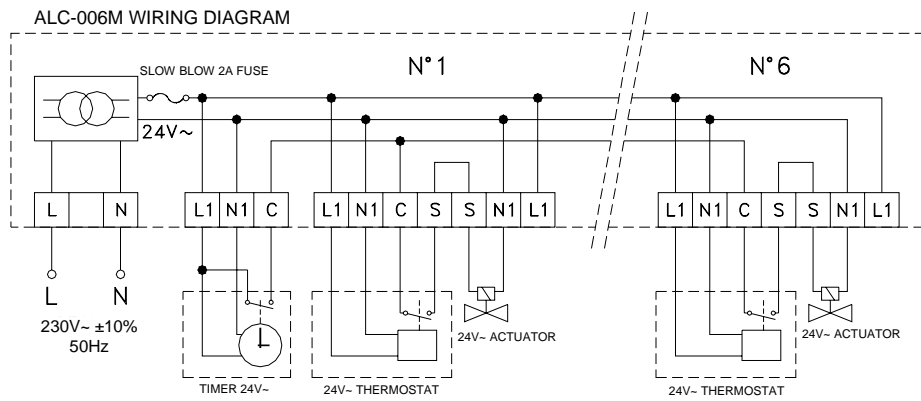
### Features

- Zone Wiring Center
- Two Versions to Suit the Requirements
- Compact and Robust Design
- Typically used for Underfloor Heating Circuits



Model Type	Model	Description
	<b>ALC-006M</b>	Wiring Center for up to 6 Thermostats and 6 Actuators, 230Vac Power Supply
	<b>ALC-006U</b>	Wiring Center for up to 6 Thermostats and 6 Actuators, Universal Power Supply (Typically 24Vac, No Transformer)
<b>Technical Data</b>	Power Supply	ALC006M: 230Vac -10/+10% 50Hz ALC006U: Universal (Typically 24Vac)
	Power Consumption	ALC006M: 24VA
	Max. Load	ALC006M: 1A @ 24Vac (total) ALC006U: 2A @ Vsupply (total)
	Protection	2A fuse (slow blow)
	Protection Class	IP30
	Ambient Temp	0..+40°C
	Storage Temp	-10..+50°C
	Humidity Limits	20..80% rH non-condensing
	Housing	ABS V-0 Self Extinguishing, Signal White (RAL 9003)
	Mounting	Wall Mount or DIN-rail (Optional)
	Dimensions	W245 x H100 x D60 mm

Wiring Details



Notes: In the view of a constant development of their products, the manufacturer reserves the right for changing technical data and features without prior notice. The consumer is guaranteed against any lack of conformity for 24 months from the time of delivery, according to the European Directive 1999/44/EC. The full text of guarantee is available on request from the seller.