

Produal Proxima® WTR-CO2 - wireless room transmitter



Produal Proxima® WTR-CO2 wireless transmitters are designed for detecting carbon dioxide concentration, temperature and humidity in room spaces. The adjustable measurement period and smart Change Of Value functionality allow the use of this battery operated transmitter for many different application, from simple but smart monitoring to high level demand-based ventilation control.

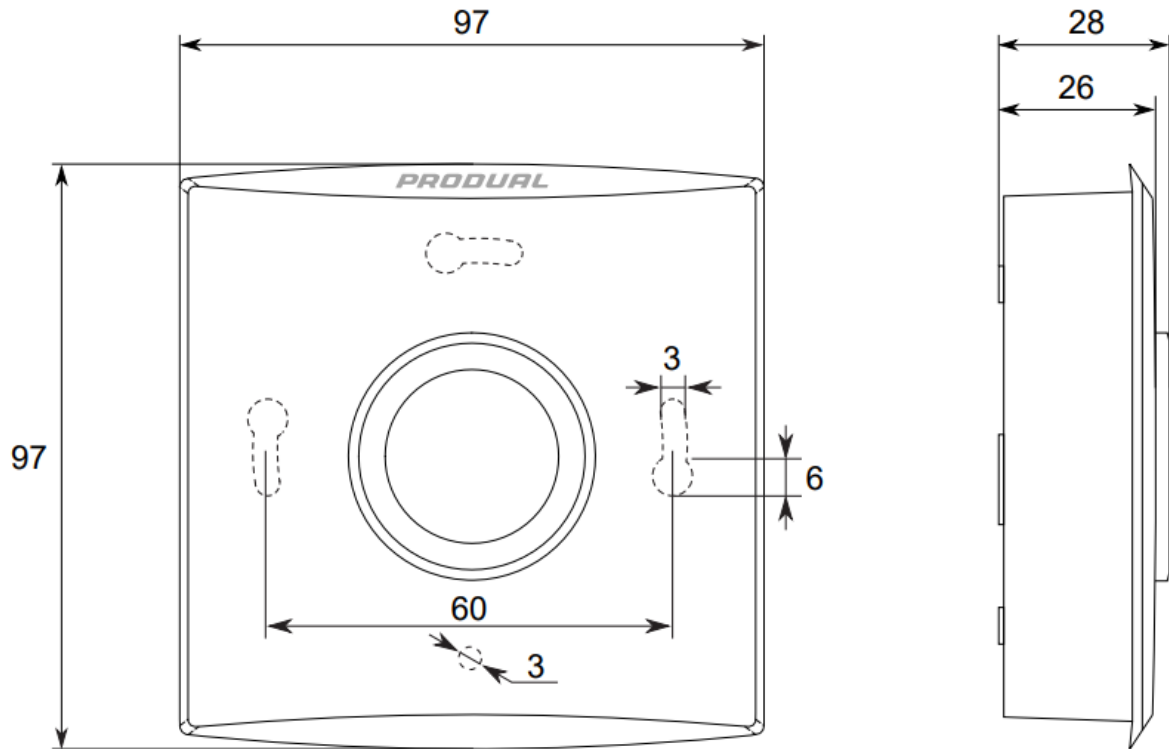
The measurement values can be shown locally on the optional display (-D model). Transmitters are compatible with the Produal Proxima® MESH wireless network and all the measurement data is available via standard Modbus RTU via RS485 port and Modbus TCP via Ethernet port.

The measurement information is transmitted to the base unit according to the base unit poll interval or when the information changes. User can set the smallest change in the value above which the measurement is immediately send to the base unit.

The WTR-CO2 is equipped with an energy efficient and highly accurate CO2 sensor element, featuring cutting edge LED light technology. This makes possible to get high stability of measurement and extended battery life (up to 5 years) even with dense sampling interval.

The WTR-CO2 can be operated in Produal Proxima MESH based network, where all the transmitters can work as a repeater and one network can contain up to 100 wireless transmitters. Commissioning is done by using Produal MyTool® smart phone application.

Dimensions



Products

Model	Part number
WTR-CO2	5401600000
WTR-CO2-D	5401603000
WTR-CO2-RH	5401600H00
WTR-CO2-D-RH	5401603H00
WTRB-CO2	54016B0000
WTRB-CO2-D	54016B3000
WTRB-CO2-RH	54016B0H00
WTRB-CO2-D-RH	54016B3H00